

Superbird P/N 3571 101 Nose Cone Assembly Complete, Nose Cone and Internal Components

Description

74+ unique parts in various quantities for an approximate total number of parts of 300+. Most of these parts are listed on pages 7,8,9 which contain scans of pages of the Plymouth Superbird Production Planning Technical Services Fleet Engineering document.

Quantity per car

One

Also used on

Nothing—unique to Superbird.



Description

Construction Material
Original Vendor
Reproductions

Quantity per car

Raw Finish/Work
Known variations
Reference material

Also used on

Coating of part
Assembly line original vs. NOS
Links to discussions

Dimensions

Installation of part
Miscellaneous

Superbird P/N 3571 101 Nose Cone Assembly Complete, Nose Cone and Internal Components

Dimensions

Big!

Construction

Material

Shell—steel and lead,
Headlight buckets—
fiberglass, Seals—
rubber and composite
materials

Raw Finish/Work

Description	Quantity per car	Also used on	Dimensions
Construction Material	Raw Finish/Work	Coating of part	Installation of part
Original Vendor	Known variations	Assembly line original vs. NOS	
Reproductions	Reference material	Links to discussions	Miscellaneous

Superbird P/N 3571 101 Nose Cone Assembly Complete, Nose Cone and Internal Components

Coating on Part

Description	Quantity per car	Also used on	Dimensions
Construction Material	Raw Finish/Work	Coating of part	Installation of part
Original Vendor	Known variations	Assembly line original vs. NOS	
Reproductions	Reference material	Links to discussions	Miscellaneous

Superbird P/N 3571 101 Nose Cone Assembly Complete, Nose Cone and Internal Components

Installation of Part

Original Vendor
Creative Industries

Known variations

Description	Quantity per car	Also used on	Dimensions
Construction Material	Raw Finish/Work	Coating of part	Installation of part
Original Vendor	Known variations	Assembly line original vs. NOS	
Reproductions	Reference material	Links to discussions	Miscellaneous

Superbird P/N 3571 101 Nose Cone Assembly Complete, Nose Cone and Internal Components

Assembly Line Original vs. NOS

Description	Quantity per car	Also used on	Dimensions
Construction Material	Raw Finish/Work	Coating of part	Installation of part
Original Vendor	Known variations	Assembly line original vs. NOS	
Reproductions	Reference material	Links to discussions	Miscellaneous

Superbird P/N 3571 101 Nose Cone Assembly Complete, Nose Cone and Internal Components

Reproductions

Description	Quantity per car	Also used on	Dimensions
Construction Material	Raw Finish/Work	Coating of part	Installation of part
Original Vendor	Known variations	Assembly line original vs. NOS	
Reproductions	Reference material	Links to discussions	Miscellaneous

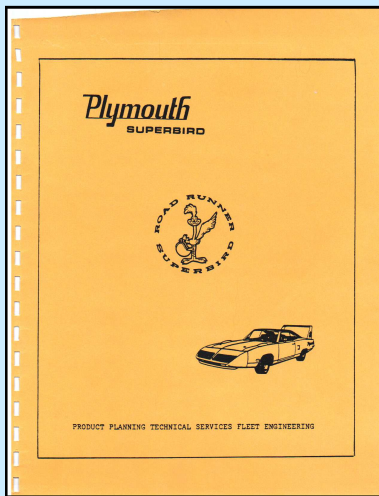
Superbird P/N 3571 101 Nose Cone Assembly Complete, Nose Cone and Internal Components

Reference Material

Scan from the:

Plymouth
Superbird
Product
Planning
Technical
Services
Fleet
Engineering

document.



PART NO. 3571101		GROUP RELEASE NO. P-531	
		SHEET 46	OF Sheet 1 of 3
3571101 - Assy. - Nose Cone Complete - as shipped will contain the following parts			
			SP. REL. REF. NO.
3571192	✓ Assy. - Nose Cone (sheet metal only)	1	
6025005	Nut & Washer	10	
3412684	✓ Bolt - Nose Cone	10	
3412606	✓ Bulkhead - Nose Cone R.H.	1	
3412607	✓ Bulkhead - Nose Cone L.H.	1	
6025005	Nut & Washer	6	
6025322	Screw & Washer	6	
3571172	✓ Seal - Bulkhead to Valance Panel	2	
3412693	✓ Pop Rivet Bulkhead to Valance Seal Att.	2	
6025010	Nut & Wa. - Seal Att. Bulkhead to Valance Panel	6	
6025351	Screw & Washer	6	
6025007	Nut & Washer	12	
9423984	Screw	6	
6025322	Screw & Washer	5	
3571150	✓ Support - Bulkhead Lower - R.H.	1	
3571151	✓ Support - Bulkhead Lower - L.H.	1	
6025351	Screw & Washer	10	
3412699	✓ Reinf. - H/L Actuator Adj. Brkt.	2	
6025007	Nut & Washer	10	
3571152	✓ Crossmember - Bulkhead Lower Support	1	
3571154-5	✓ Brkt. - Park & Turn Sig. Lamp Mtg. R/L	1ea	
2094869	Rivnut	17	
NOTES:		MATERIAL	PRODUCT PLANNING TECH. SERVICES FLEET ENGINEERING
		DATE	9-3-69
		DRAWN	CHRYSLER CORPORATION
		G. L. LYNCH	DETROIT, MICHIGAN
		CHECKED	Assy. - Nose Cone Complete (as shipped)
RELEASED FOR SPECIAL ORDER ONLY 10-31-69			PART NO. 3571101
INFORMATION ON THIS PART AVAILABLE ONLY FROM FLEET ENGINEERING - PRODUCT PLANNING TECHNICAL SERVICES			

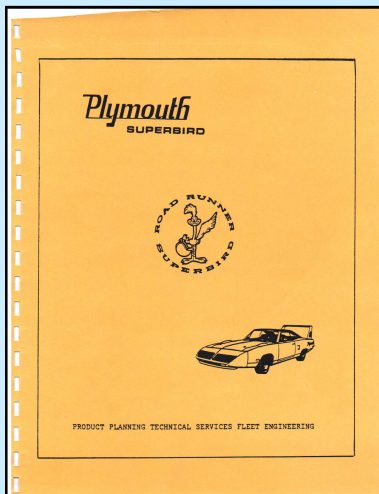
Description	Quantity per car	Also used on	Dimensions
Construction Material	Raw Finish/Work	Coating of part	Installation of part
Original Vendor	Known variations	Assembly line original vs. NOS	
Reproductions	Reference material	Links to discussions	Miscellaneous

Superbird P/N 3571 101 Nose Cone Assembly Complete, Nose Cone and Internal Components

Reference Material

Scan from the:

Plymouth
Superbird
Product
Planning
Technical
Services
Fleet
Engineering
document.



84-620-8594		PART NO.	GROUP RELEASE NO.	F-534
		3571101	SHEET 47	OF Sheet 2 of 3
F	3403092	Assy. Rad. Grille Park & Turn Sig. Lamp R.	1	
F	3403093	Assy. Rad. Grille Park & Turn Sig. Lamp L.	1	
	3571199	Spacer Park & Turn Signal Mounting	4	
	6023202	Nut & Washer Park & Turn Signal Mounting	4	
	3571160	Wiring Assy. - H/lp.	1	
	6015671	Clip - Weld-on	2	
	3571161	Application - H/lp. Park & Turn Lamp Hookup & Clips	Ref.	
	9427484	Screw Grounding	2	
	3571163	Seal - Panel - Rad. Yoke Side to Bulkhead	2	
	3412693	Pop Rivet - Seal Panel Rad. Side to Bulkhead	6	
	3412631	Cap - Headlamp Hsg. Comp.	4	
	6025003	Nut & Washer	12	
	3412636	Plate - Vacuum Actuator Mtg.	2	
	9427484	Screw & Washer	8	
	6025005	Nut & Washer	4	
	3412693	Pop Rivet - Headlamp Pivot Brkt. to H/L Housing	20	
	3412620	Headlamp Housing R.H.	1	
	3412621	Headlamp Housing L.H.	1	
	3412694	Bracket - Spring Anchor	2	
	3412630	Spring - H/Lamp Hold Open Assist	2	
	3412682	Compartment Assy. H/lp. Hsg. R.H.	1	
	3412683	Compartment Assy. H/lp. Hsg. L.H.	1	
	121547	Clevis Pin	2	
	3571153	Assembly - Headlamp Housing Pivot Bracket	2	
	3412666	Plate Assy. - Headlamp Comp. Inner End R.H.	1	
	3412667	Plate Assy. - Headlamp Comp. Inner End L.H.	1	
	6025322	Screw & Washer	6	
	6025005	Nut & Washer	6	
	120385	Washer - Vacuum Actuator Mtg. Plate Shimming	28	
	120386	Washer - Bulkhead Support	6	

NOTES:		MATERIAL	PRODUCT PLANNING TECH. SERVICES FLEET ENGINEERING	DATE	9-3-69
		DRAWN	CHRYSLER CORPORATION	SCALE	---
		G. L. LYNCH	DETROIT, MICHIGAN		
		CHECKED	Assy. - Nose Cone Complete (as shipped)	PART NO.	3571101

RELEASED FOR SPECIAL ORDER ONLY 10-31-69

INFORMATION ON THIS PART AVAILABLE ONLY FROM

Description	Quantity per car	Also used on	Dimensions
Construction Material	Raw Finish/Work	Coating of part	Installation of part
Original Vendor	Known variations	Assembly line original vs. NOS	
Reproductions	Reference material	Links to discussions	Miscellaneous

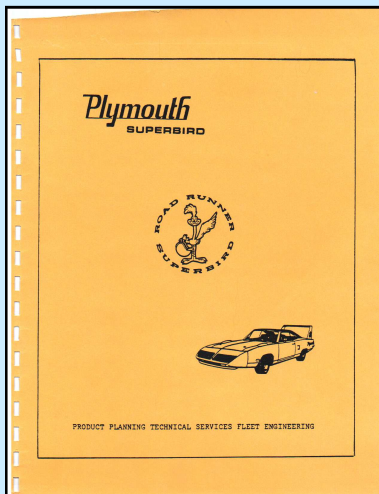
Superbird P/N 3571 101 Nose Cone Assembly Complete, Nose Cone and Internal Components

Reference Material

Scan from the:

Plymouth
Superbird
Product
Planning
Technical
Services
Fleet
Engineering

document.



PART NO.		GROUP RELEASE NO.		F-534	
3571101		SHEET 40		OF Sheet 3 of 3	
124824	Nut		2		
9423984	Screw - H/L Hsg. Adjuster		2		
3412690	Headlamp Hsg. Stop Assy. - Rub Plate		2		
3412672	Headlamp Hsg. Adjuster Stop Plate Assy.		2		
6023285	Clip		2		
144229	Grommet		2		
2786882	High Headlight Seat R.H. (Color Code Blue)		1		Creative Industries seats as prescribed with M.S. 3274.
2786883	High Headlight Seat L.H. (Color Code Orange)		1		
2786884	High Low Headlight Seat R.H. (Color Code Black)		1		
2786885	High Low Headlight Seat L.H. (Color Code Red)		1		
2449525	J-Ring		4		
F 152285	Sealed Beam - High		2		
F 152286	Sealed Beam - Low		2		
2785842	H/Lamp Assy. - Adj. Screw & Nut Assy.		8		
6627280	Bushing		4		
1922183	Retainer		2		
2926961	Vacuum Actuator		2		
6027292	Clip - Spring - V Type		2		
2884558	Vacuum Hose Connector		2		
6027435	Screw H/Lamp Seat to J. Ring		12		
6027517	Screw - Spring Retaining		4		
2445845	Spring - H/Lamp Seat Assy. Retaining		4		

NOTES:

LET	WAS	MATERIAL	PRODUCT PLANNING TECH. SERVICES FLEET ENGINEERING	DATE	9-3-69
		DRAWN <i>DL</i> G. L. LYNCH	CHRYSLER CORPORATION DETROIT, MICHIGAN	SCALE	
RELEASED FOR SPECIAL ORDER ONLY 10-31-69			CHECKED <i>OS</i>	Assy. - Nose Cone Complete (as shipped)	PART NO. 3571101

INFORMATION ON THIS PART AVAILABLE ONLY FROM
FLEET ENGINEERING - PRODUCT PLANNING TECHNICAL SERVICES

Contact Mr. Herb M. Daniels of the Product Planning and Development Staff. Phone: 876-3789 for detail dimensions, sample part tooling and source.

Description	Quantity per car	Also used on	Dimensions
Construction Material	Raw Finish/Work	Coating of part	Installation of part
Original Vendor	Known variations	Assembly line original vs. NOS	
Reproductions	Reference material	Links to discussions	Miscellaneous

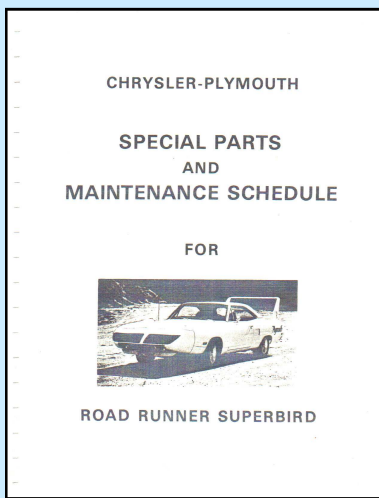
Superbird P/N 3571 101 Nose Cone Assembly Complete, Nose Cone and Internal Components

Reference Material

Scan from the:

Chrysler-Plymouth
Special Parts and
Maintenance Sched-
ule for Road Runner
Superbird

document sent to
original owners/
purchasers of the cars.



- 1 -

GROUP 23 - BODY NOSE CONE

	<u>REQ.</u>	<u>PART NUMBER</u>
NOSE CONE ASSEMBLY - COMPLETE	1	3571 101
NOSE CONE ASSEMBLY - SHEET METAL ONLY	1	3571 192
BOLT - NOSE CONE ATTACHING	10	3412 684
NUT AND WASHER - NOSE CONE ATTACHING	10	120 375
BULKHEAD - NOSE CONE - RIGHT	1	3412 606
BULKHEAD - NOSE CONE - LEFT	1	3412 607
NUT AND WASHER - BULKHEAD ATTACHING	6	120 375
SCREW AND WASHER - BULKHEAD ATTACHING	6	180 020
SEAL - BULKHEAD TO VALANCE PANEL	2	3571 172
POP RIVET - BULKHEAD TO VALANCE SEAL ATTACHING	2	3412 693
NUT AND WASHER - SEAL ATTACHING BULKHEAD TO VALANCE PANEL	6	120 376
SCREW AND WASHER - SEAL ATTACHING BULKHEAD TO VALANCE PANEL	6	180 079

Description	Quantity per car	Also used on	Dimensions
Construction Material	Raw Finish/Work	Coating of part	Installation of part
Original Vendor	Known variations	Assembly line original vs. NOS	
Reproductions	Reference material	Links to discussions	Miscellaneous

Superbird P/N 3571 101 Nose Cone Assembly Complete, Nose Cone and Internal Components

Reference Material

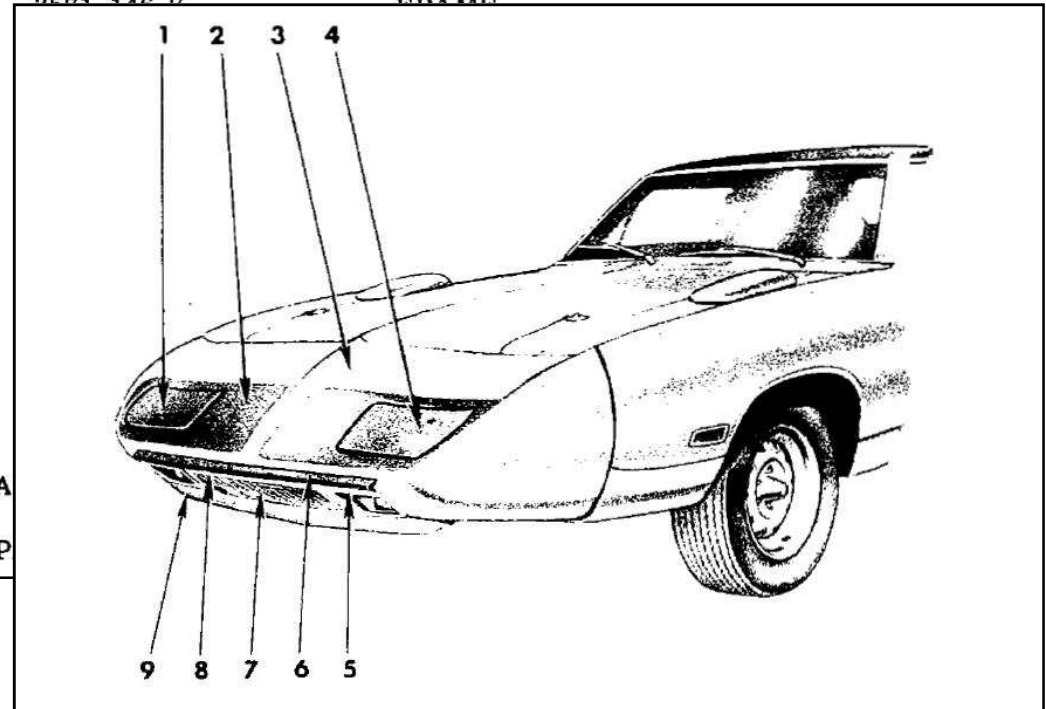
Scan from the:

Supplemental Parts Catalog pages sent to Dealership Parts Departments.



1970-71 PASSENGER CAR PARTS CATALOG Illus. Page 23-443

REF. NO.	PART NUMBER	DESCRIPTION
1	3571 170-1	DECAL
2	3571 178-9	DECAL
3	3571 101	NOSE CONE, Complete
3	3571 192	NOSE CONE (Sheet Metal only)
5	3571 146-7	FRAME
6		
7		
8		
9		
10		
11		
12		
13		
14		
15		
15		
16		
16		



ADDITIONAL

QTY. P

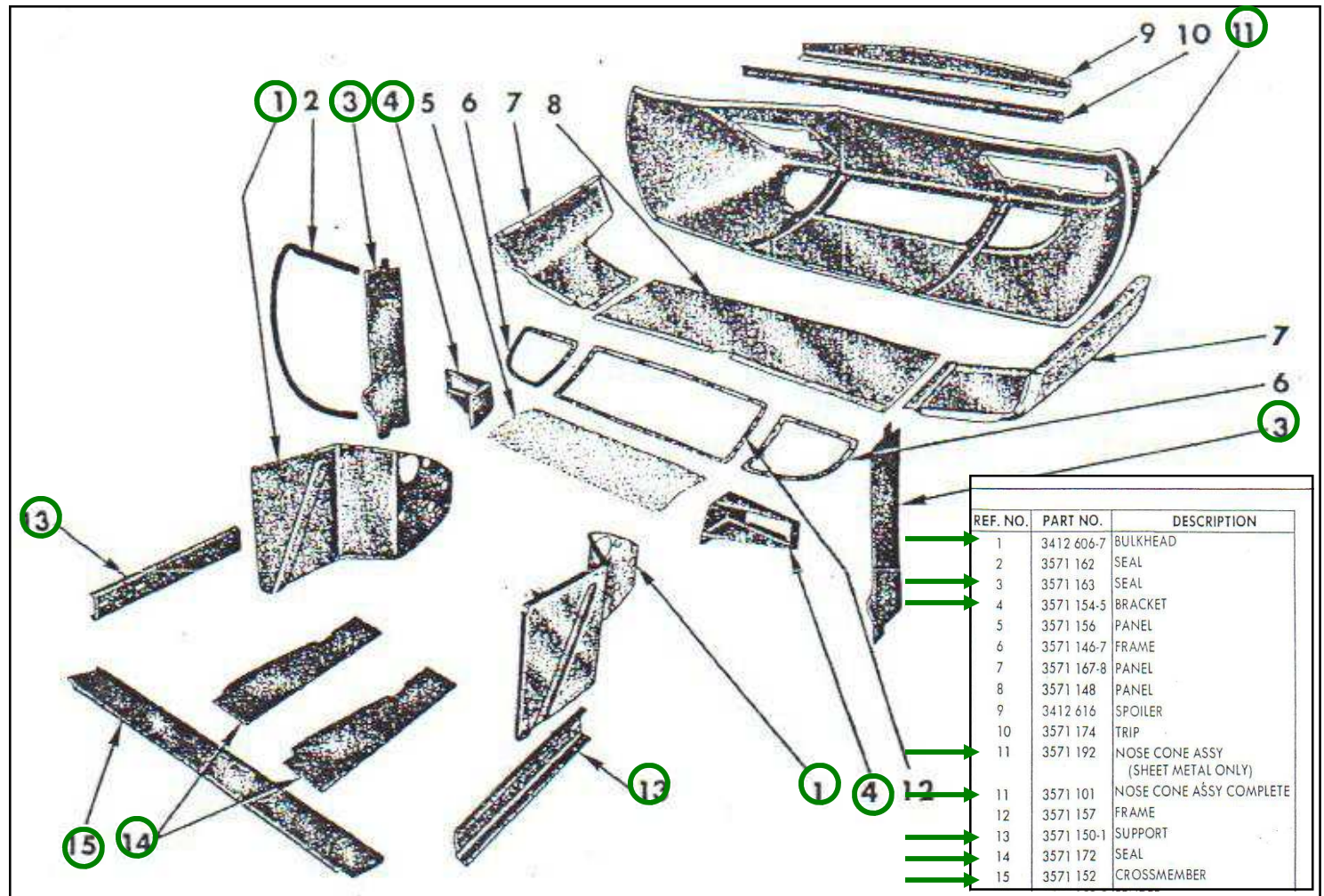
Description	Quantity per car	Also used on	Dimensions
Construction Material	Raw Finish/Work	Coating of part	Installation of part
Original Vendor	Known variations	Assembly line original vs. NOS	
Reproductions	Reference material	Links to discussions	Miscellaneous

Superbird P/N 3571 101 Nose Cone Assembly Complete, Nose Cone and Internal Components

Reference Material

Scan from the:

Supplemental Parts Catalog pages sent to Dealership Parts Departments.



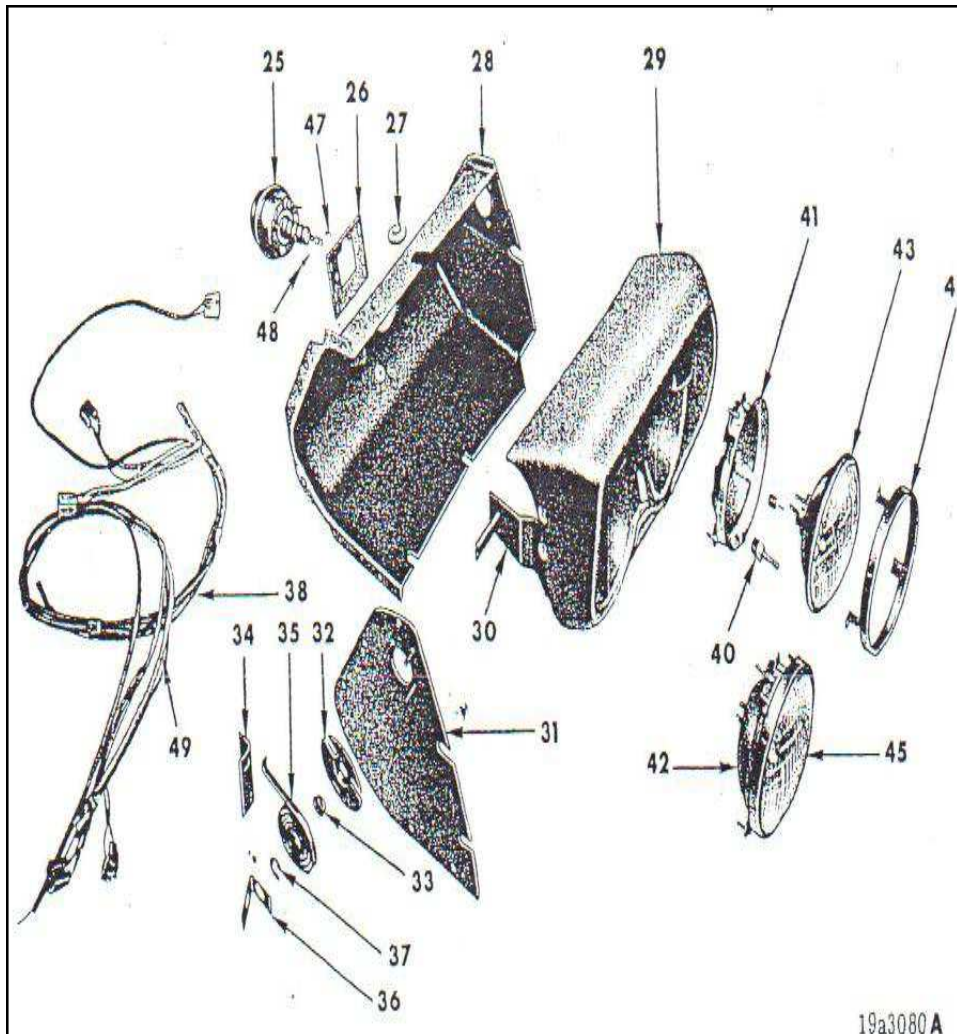
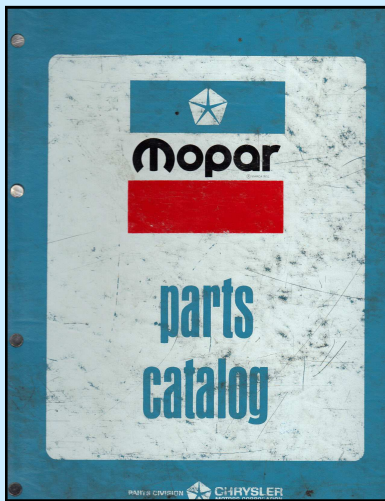
Description	Quantity per car	Also used on	Dimensions
Construction Material	Raw Finish/Work	Coating of part	Installation of part
Original Vendor	Known variations	Assembly line original vs. NOS	
Reproductions	Reference material	Links to discussions	Miscellaneous

Superbird P/N 3571 101 Nose Cone Assembly Complete, Nose Cone and Internal Components

Reference Material

Scan from the:

Supplemental Parts Catalog pages sent to Dealership Parts Departments.



REF. NO.	PART NO.	DESCRIPTION
25	2926 961	ACTUATOR
26	3412 636	PLATE
27	144 229	GROMMET
28	3412 766-7	COMPARTMENT
29	3412 620-1	HEADLAMP HSG.
30	3412 618	BRACKET
31	3412 666-7	PLATE
32	3412 631	CAP
33	6027 280	BUSHING
34	3412 694	BRACKET
35	3412 630	SPRING
36	6027 292	CLIP
37	1922 183	"C" CLIP
38	3571 160	WIRING
40	2785 842	ADJ. SCREW & NUT
41	2786 884-5	HIGH H/LAMP SEAT
42	2786 882-3	LOW H/LAMP SEAT
43	152 286	SEAL BEAM LOW
45	152 285	SEAL BEAM HIGH
46	2449 525	"J" RING
47	2857 976	SHAFT, CLIP
48	9416 049	SCREW
49	3412 675	VAC. HOSE 22" BLACK
49	3412 676	VAC. HOSE 22" YELLOW
49	3412 677	VAC. HOSE 16" BLACK
49	3412 678	VAC. HOSE 16" YELLOW
49A	2926 337	TUBE AND CONNECTOR H/LAMP DOOR VAC. CONTROL

Description
Construction Material
Original Vendor
Reproductions

Quantity per car
Raw Finish/Work
Known variations
Reference material

Also used on
Coating of part
Assembly line original vs. NOS
Links to discussions

Dimensions
Installation of part
Miscellaneous

Superbird P/N 3571 101 Nose Cone Assembly Complete, Nose Cone and Internal Components

Links to Discussions

Description	Quantity per car	Also used on	Dimensions
Construction Material	Raw Finish/Work	Coating of part	Installation of part
Original Vendor	Known variations	Assembly line original vs. NOS	
Reproductions	Reference material	Links to discussions	Miscellaneous

Superbird P/N 3571 101 Nose Cone Assembly Complete, Nose Cone and Internal Components

Miscellaneous

Description	Quantity per car	Also used on	Dimensions
Construction Material	Raw Finish/Work	Coating of part	Installation of part
Original Vendor	Known variations	Assembly line original vs. NOS	
Reproductions	Reference material	Links to discussions	Miscellaneous

Superbird P/N 3571 101 Nose Cone Assembly Complete, Nose Cone and Internal Components



Description	Quantity per car	Also used on	Dimensions
Construction Material	Raw Finish/Work	Coating of part	Installation of part
Original Vendor	Known variations	Assembly line original vs. NOS	
Reproductions	Reference material	Links to discussions	Miscellaneous

